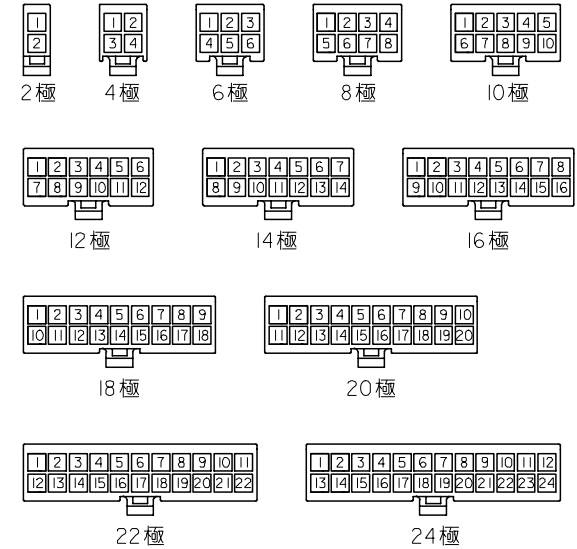
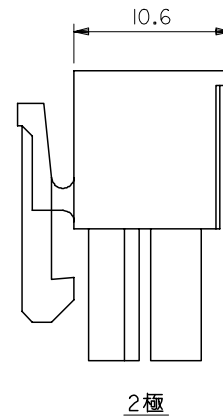
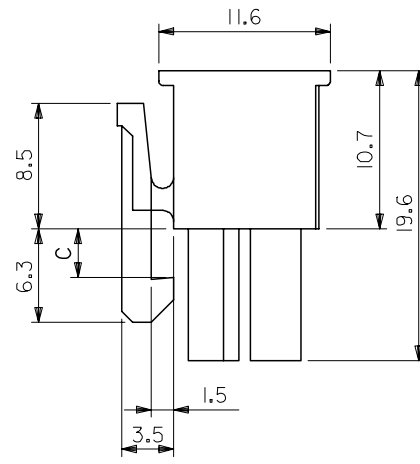
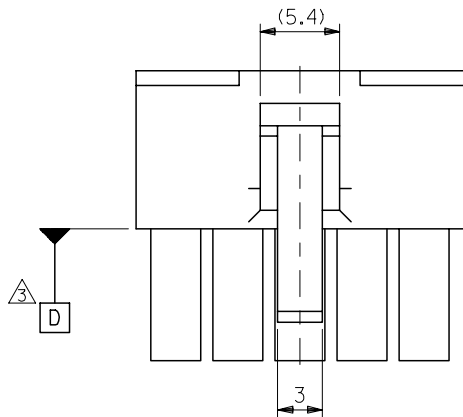


注記  
 1. 適用ターミナル：5556 シリーズ  
 2. 嵌合相手：5559 シリーズ  
 5566 シリーズ  
 5569 シリーズ  
 501566 シリーズ  
 △ D 面の位置にて維持すること。

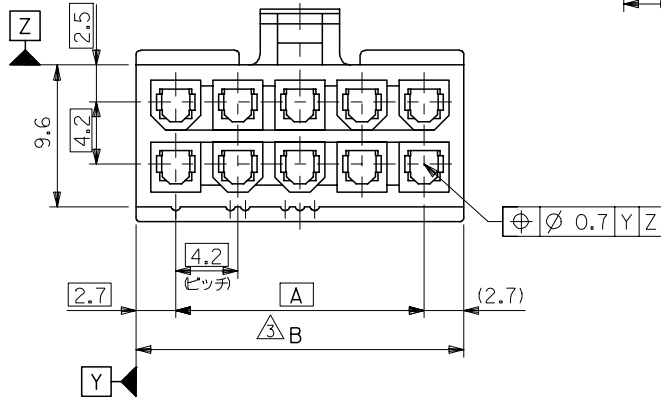


回路レイアウト図  
 (SCALE 1:1)



材料 MATERIAL	66ナイロン (UL94V-2)
仕上げ FINISH	—
適用電線範囲 WIRE RANGE	—
被覆外径 INS. RANGE	—

C	B	A	EDP. NO.	ENG. NO.	極数
3.6	51.6	46.2	39-01-2240	5557-24R	24
	47.4	42	-2220	-22R	22
	43.2	37.8	-2200	-20R	20
3.3	39	33.6	-2180	-18R	18
	34.8	29.4	-2160	-16R	16
	30.6	25.2	-2140	-14R	14
	26.4	21	-2120	-12R	12
	22.2	16.8	-2100	-10R	10
	18	12.6	-2080	-08R	8
	13.8	8.4	-2060	-06R	6
	9.6	4.2	-2040	-04R	4
	5.4	—	39-01-2020	5557-02R	2

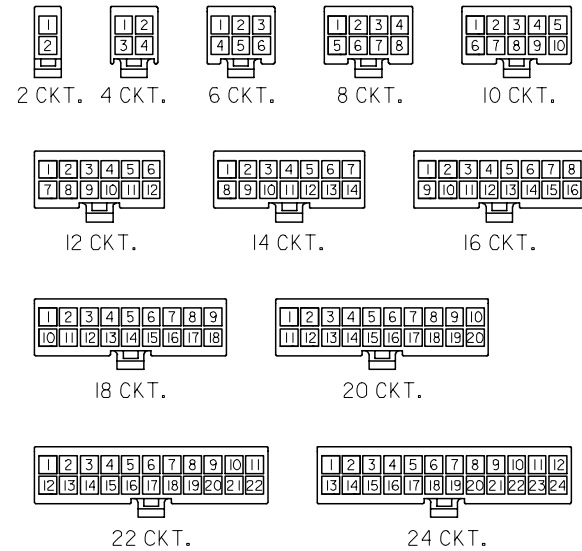


REVISED EC NO: J2005-3799 DRWN: NABE CHKD: TOYODA APPR: NUKITA	DESCRIPTION	GENERAL TOLERANCES (UNLESS SPECIFIED)	DIMENSION STYLE MM ONLY	SCALE ---	DESIGN UNITS METRIC	THIRD ANGLE PROJECTION
	REV	10 UNDER ±0.2	DRAWN BY DATE S. MOCHIZUKI '90/02/22	TITLE NEW MINI FIT CONN REC. HOUSING	MOLEX INCORPORATED	
	J	10 OVER 30 UNDER ±0.3	CHECKED BY DATE M. FUKUSHIMA '97/01/08	APPROVED BY DATE M. FUKUSHIMA '97/01/08		
		30 OVER ±0.4	ANGULAR ±3 °	MATERIAL NO. SEE CHART	DOCUMENT NO. SD-5557-003	SHEET NO. 1 OF 2
		DRAFT WHERE APPLICABLE MUST REMAIN WITHIN DIMENSIONS	SIZE A3	THIS DRAWING CONTAINS INFORMATION THAT IS PROPRIETARY TO MOLEX INCORPORATED AND SHOULD NOT BE USED WITHOUT WRITTEN PERMISSION		

10 9 8 7 6 5 4 3 2 1

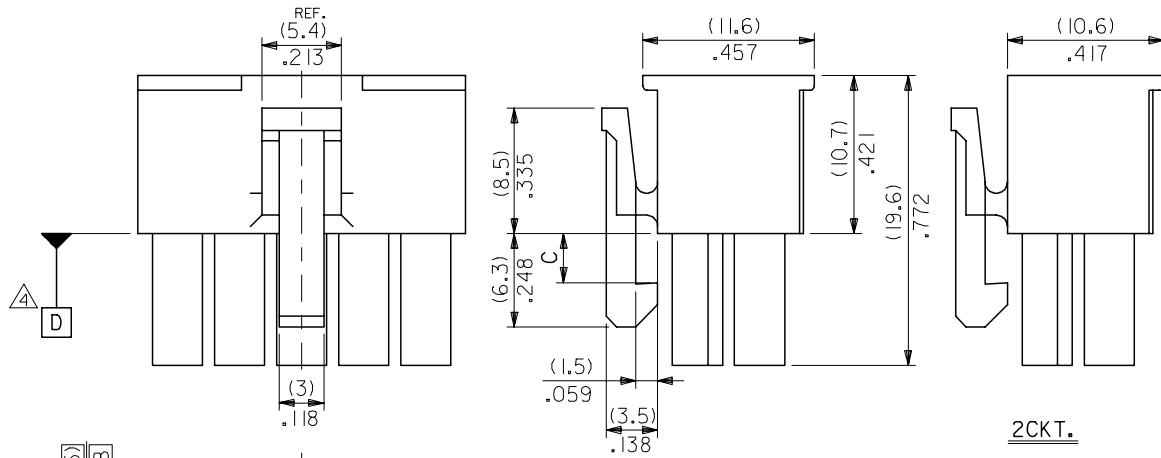
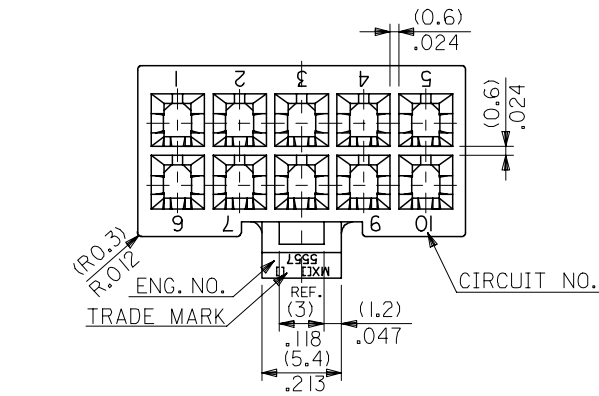
**NOTES**

1. TERMINAL : 5556 SERIES
2. MATE WITH : 5559 SERIES  
5566 SERIES  
5569 SERIES  
501566 SERIES
3. (METRIC) VALUES SHOWN GOVERN OVER ENGLISH CONVERSION VALUES.  
△ TO BE MEASURED AT POSITION OF □ SURFACE.



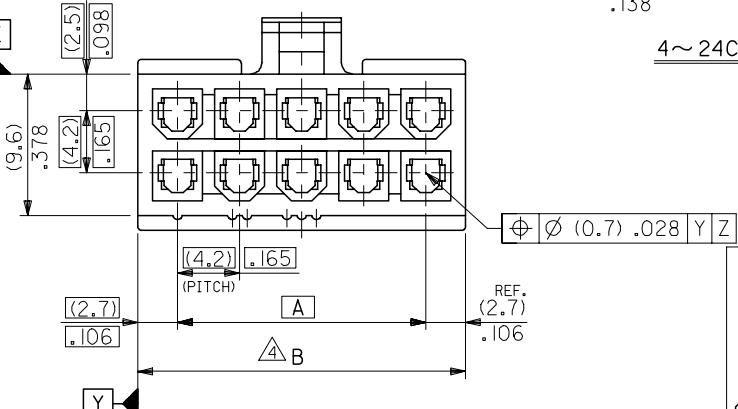
**CIRCUIT SIZE LAYOUT**  
(SCALE 1:1)

(3.6) .142	(51.6)	2.031	(46.2)	1.819	39-01-2240	5557-24R	24
	(47.4)	1.866	(42)	1.654	↑ -2220	↑ -22R	22
(3.3) .129	(43.2)	1.701	(37.8)	1.488	-2200	-20R	20
	(39)	1.535	(33.6)	1.323	-2180	-18R	18
	(34.8)	1.37	(29.4)	1.158	-2160	-16R	16
	(30.6)	1.205	(25.2)	.992	-2140	-14R	14
	(26.4)	1.039	(21)	.827	-2120	-12R	12
	(22.2)	.874	(16.8)	.661	-2100	-10R	10
	(18)	.709	(12.6)	.496	-2080	-08R	8
	(13.8)	.543	(8.4)	.331	-2060	-06R	6
	(9.6)	.378	(4.2)	.165	↓ -2040	↓ -04R	4
	(5.4)	.213	—	—	39-01-2020	5557-02R	2
C	B	A		EDP. NO.	ENG. NO.	NO. OF CKTS.	



4~24CKT.

材料 MATERIAL	66NYLON (UL94V-2)
仕上り FINISH	—
適用電線範囲 WIRE RANGE	—
被覆外径 NS. RANGE	—



REVISED EC NO: J2005-3799 DRW: NABEI CHK: KATOYODA APP: NUKITA	2005/06/20	2005/06/21	2005/06/27	DESCRIPTION	GENERAL TOLERANCES (UNLESS SPECIFIED)	DIMENSION STYLE	SCALE	DESIGN UNITS	THIRD ANGLE PROJECTION	
	±0.2	±0.3	±0.4		MM ONLY	3:1	METRIC	NEW MINI FIT CONN REC. HOUSING		
	10 UNDER	10 OVER 30 UNDER	30 OVER		ANGULAR	DRAFT WHERE APPLICABLE MUST REMAIN WITHIN DIMENSIONS	DRAWN BY DATE	CHECKED BY DATE	APPROVED BY DATE	TITLE
	S. MOCHIZUKI '90/02/22	M. FUKUSHIMA '97/01/08	M. FUKUSHIMA '97/01/08		±3 °	SEE CHART	MATERIAL NO.	DOCUMENT NO.	SHEET NO.	
	±0.2	±0.3	±0.4		±3 °	SEE CHART	SD-5557-003	2 OF 2		